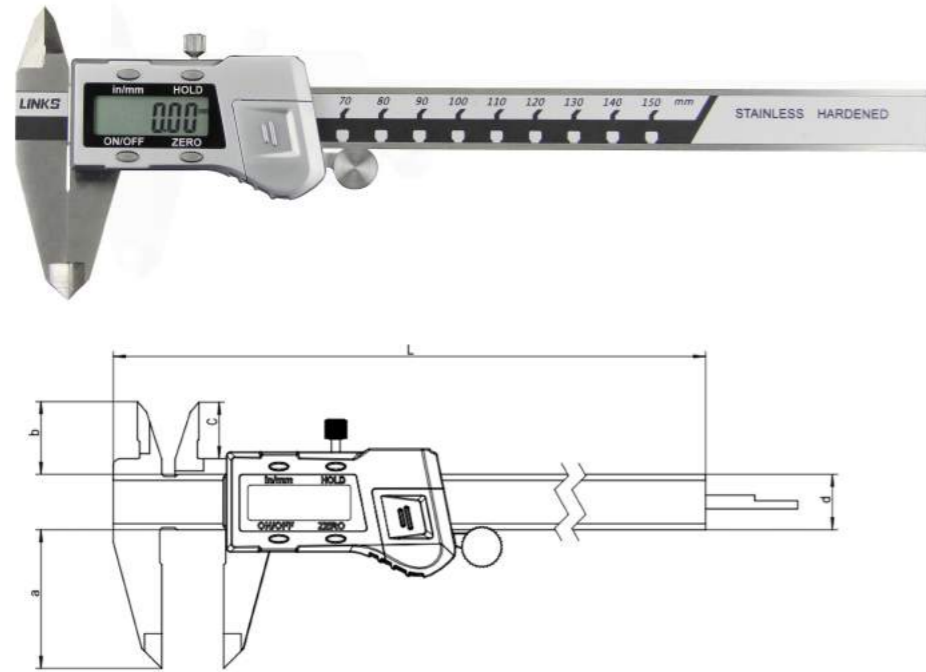


电子数显卡尺605 Digital Calipers 605

- 采用优质不锈钢制造
- 读数直观、清晰方便
- 具有公英制快速转换、任意位置置零等功能
- 主尺、尺框整体热处理，测量面淬硬；
- 带数据输出
- 符合GB标准
- Made of stainless steel
- Big LCD display, easy to read.
- Fast switch-inch switch, zero setting at any position.
- The beam and the slider are entirely heat-treated all the measuring faces are hardened.
- Data output
- Meet GB standards.

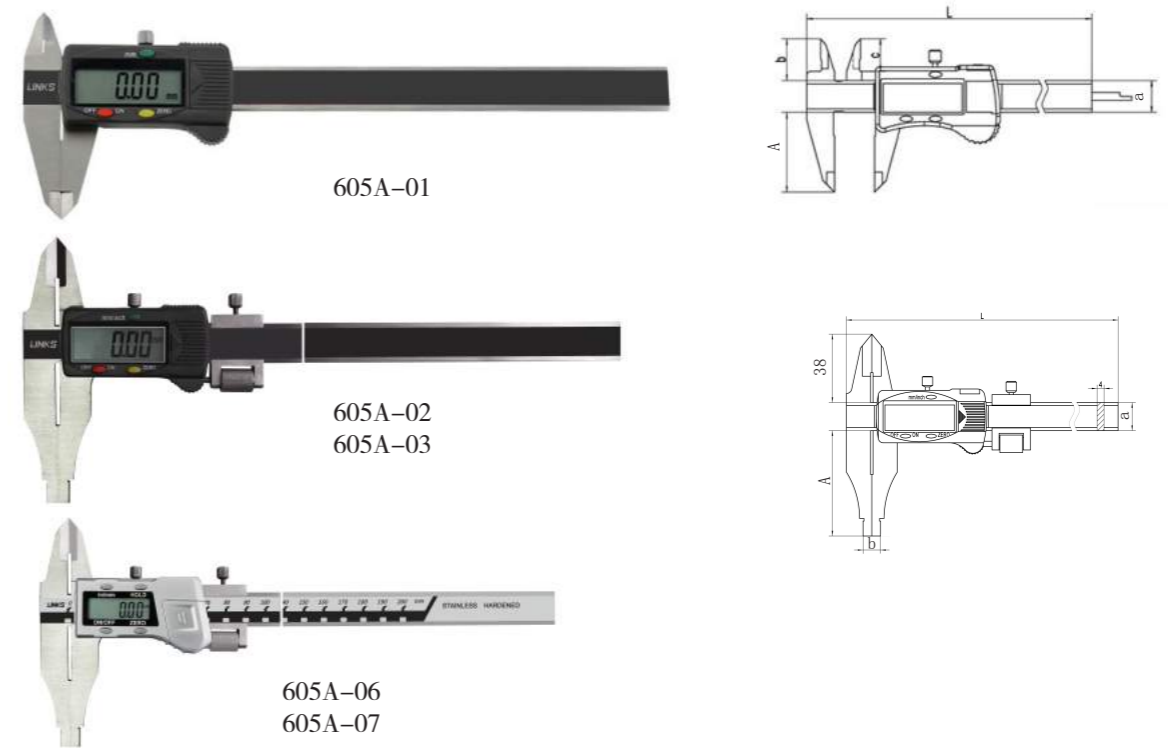


mm

| 编号 Item No. | 测量范围 Measuring range | 分辨力 Resolution | 示值误差 Indication Error | L | a | b | c | d | 备注 Remarks |
|----------------|-------------------------|-------------------|--------------------------|-----|----|----|------|----|---------------|
| 605-01 | 0-150 | 0.01 | ±0.03 | 236 | 40 | 21 | 16.5 | 16 | 金属壳 II型 |
| 605-02 | 0-200 | | ±0.03 | 286 | 50 | 24 | 13.5 | | |
| 605-03 | 0-300 | | ±0.04 | 400 | 60 | 26 | 21.5 | | |

电子数显卡尺605A Digital Calipers 605A

- 采用优质不锈钢制造
- 读数直观、清晰方便
- 具有公英制快速转换、任意位置置零等功能
- 主尺、尺框整体热处理，测量面淬硬；
- 带数据输出
- 符合GB标准。
- Made of stainless steel
- Big LCD display, easy to read.
- Fast switch-inch switch, zero setting at any position.
- The beam and the slider are entirely heat-treated all the measuring faces are hardened.
- Data output
- Meet GB standards.



mm

| 编号 Item No. | 测量范围 Measuring range | 分辨力 Resolution | 示值误差 Indication Error | L | A | b | a | 备注 Remarks |
|----------------|-------------------------|-------------------|--------------------------|-----|----|----|----|---------------|
| 605A-01 | 0-150 | 0.01 | ±0.03 | 235 | 40 | 21 | 16 | 塑料壳 II型 |
| 605A-02 | 0-200 | | ±0.03 | 312 | 60 | 10 | 17 | 塑料壳 III型 |
| 605A-03 | 0-300 | | ±0.04 | 412 | 60 | 10 | 17 | 塑料壳 III型 |
| 605A-06 | 0-200 | | ±0.03 | 312 | 60 | 10 | 17 | 金属壳 III型 |
| 605A-07 | 0-300 | | ±0.04 | 412 | 60 | 10 | 17 | 金属壳 III型 |